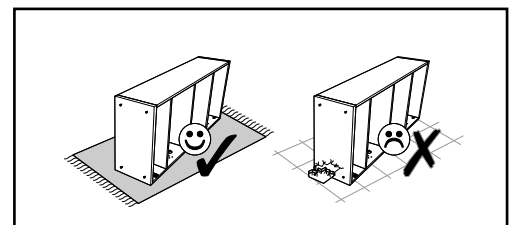
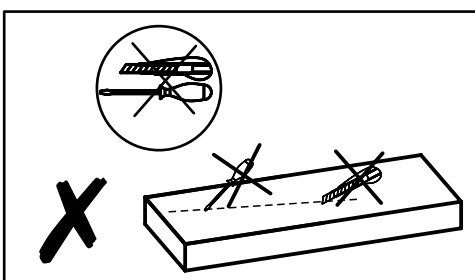
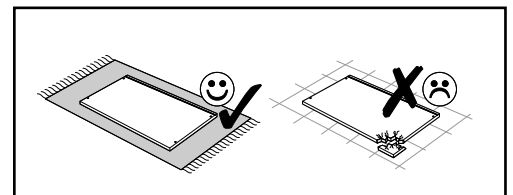
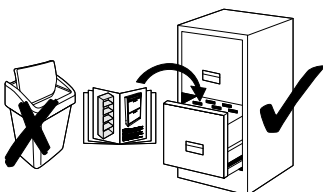
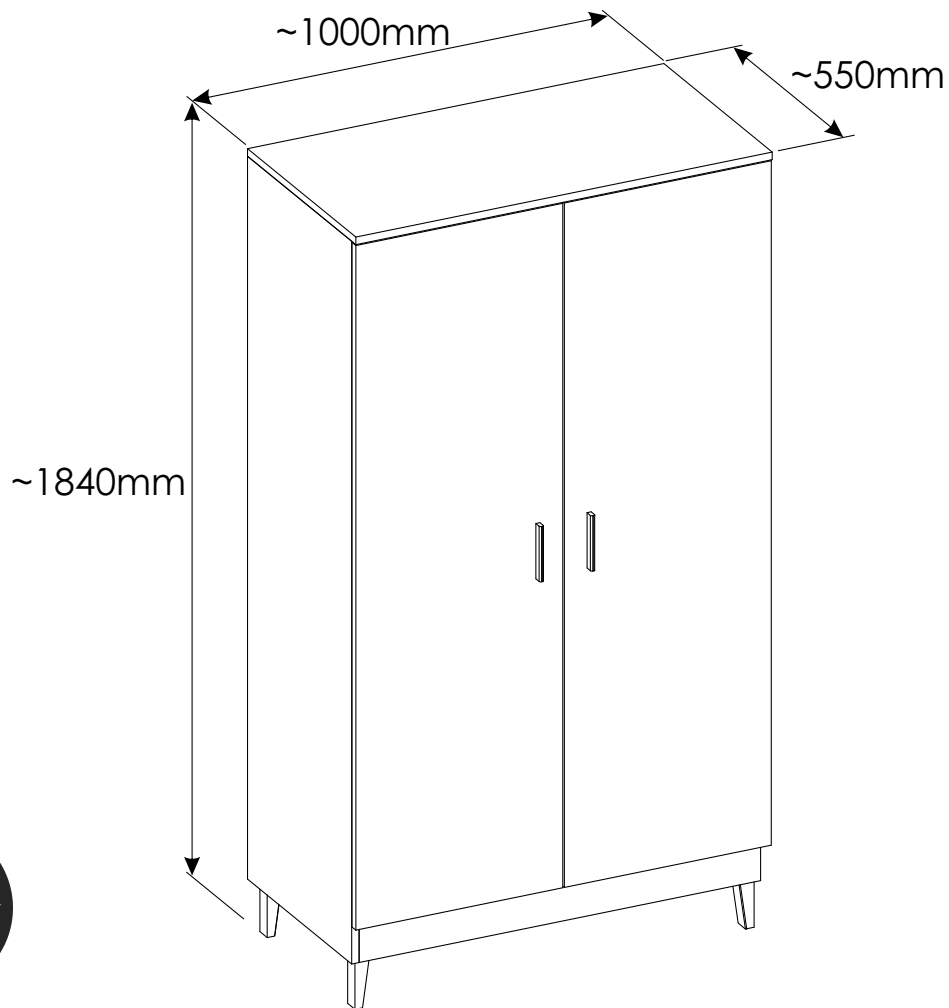
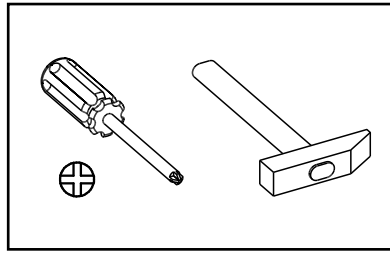
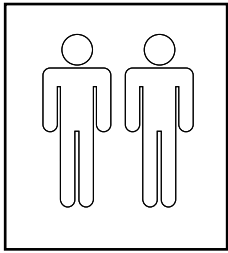
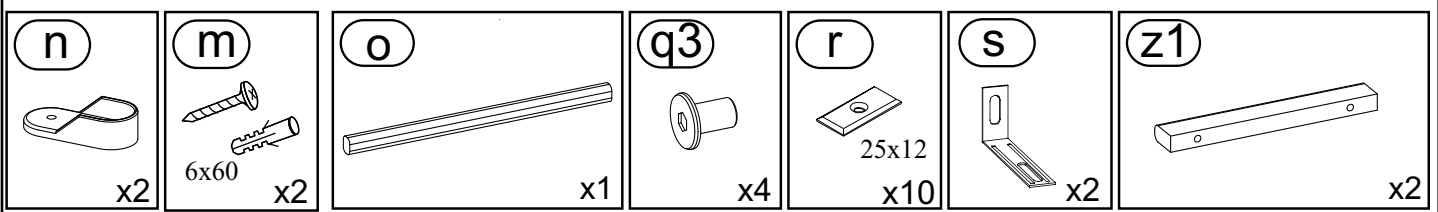
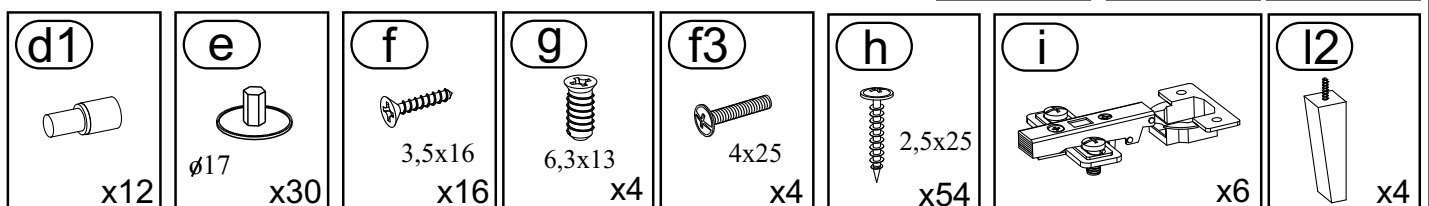
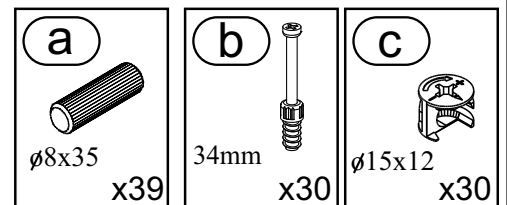
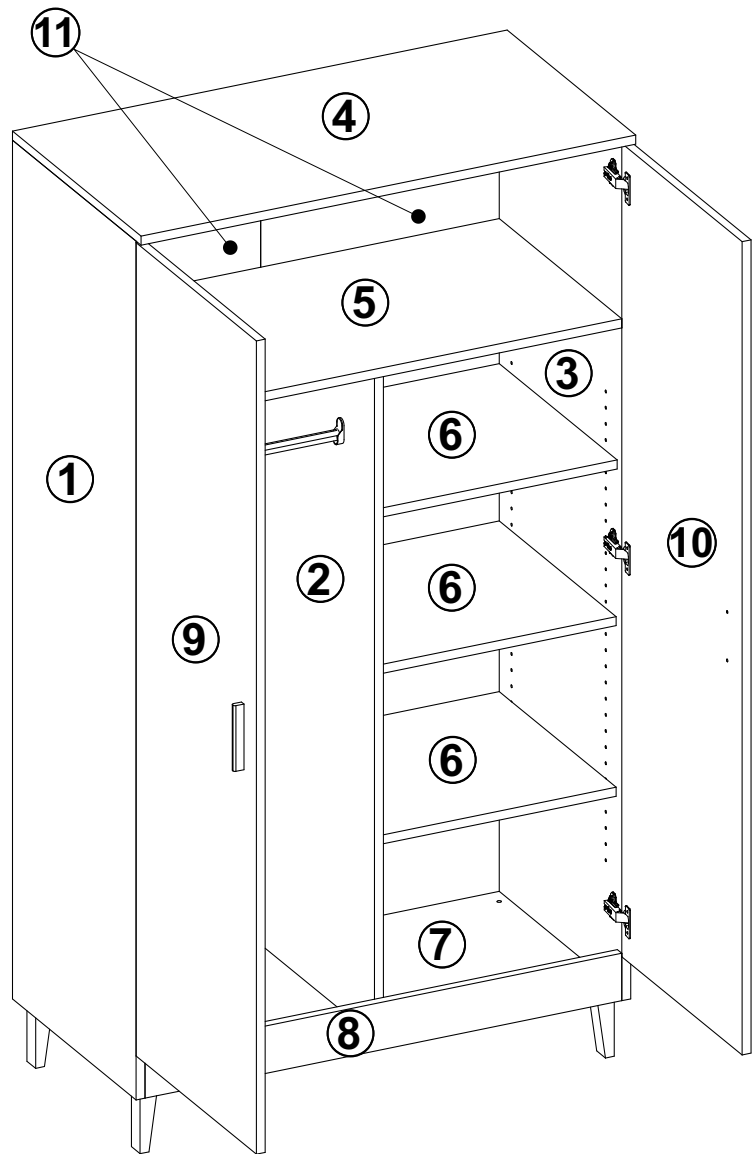


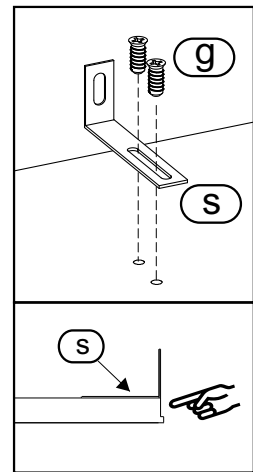
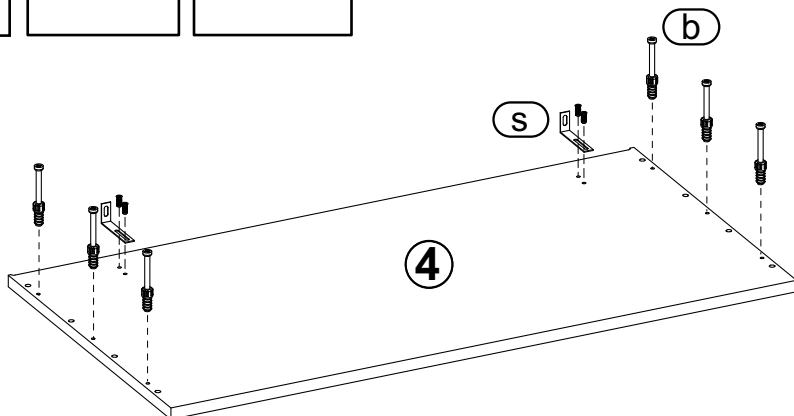
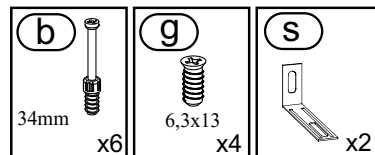
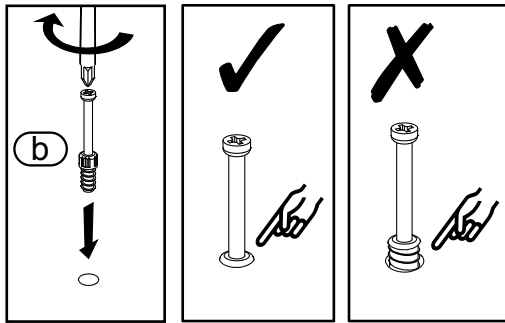
KUBI



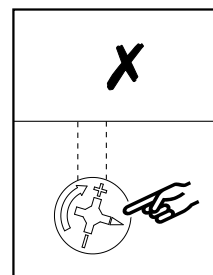
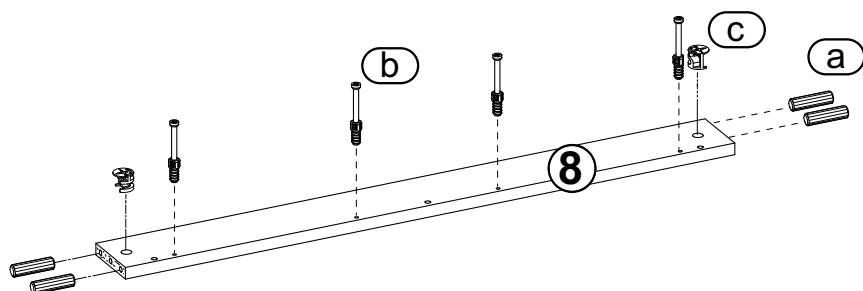
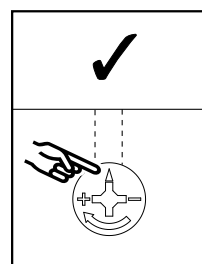
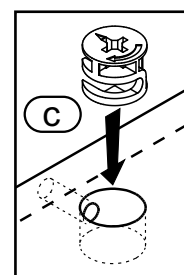
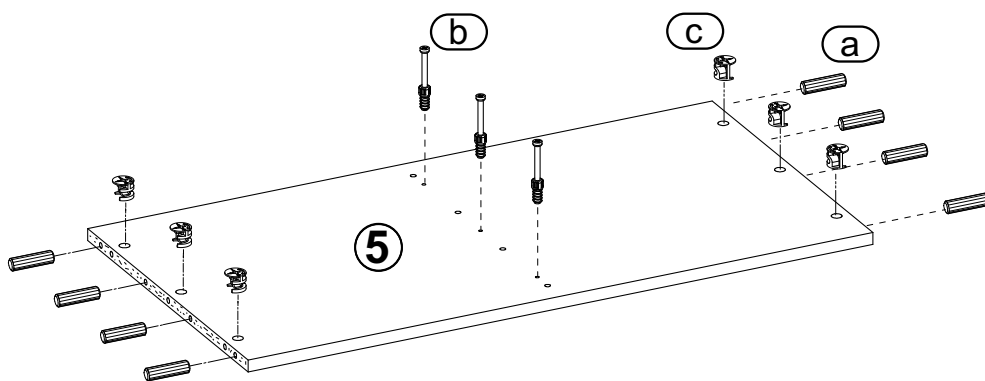
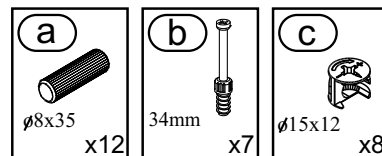
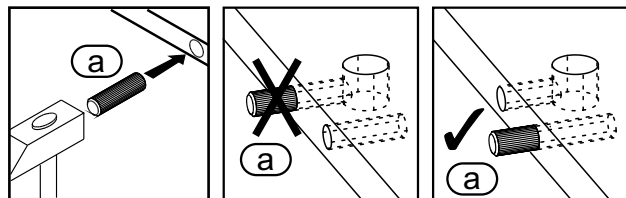
①	1652x530	1	1/1
②	1316x506	1	1/1
③	1652x530	1	1/1
④	1000x550	1	1/1
⑤	962x524	1	1/1
⑥	504x472	3	1/1
⑦	962x506	1	1/1
⑧	962x85	1	1/1
⑨	1570x497	1	1/1
⑩	1570x497	1	1/1
⑪	1666x988	1	1/1






1

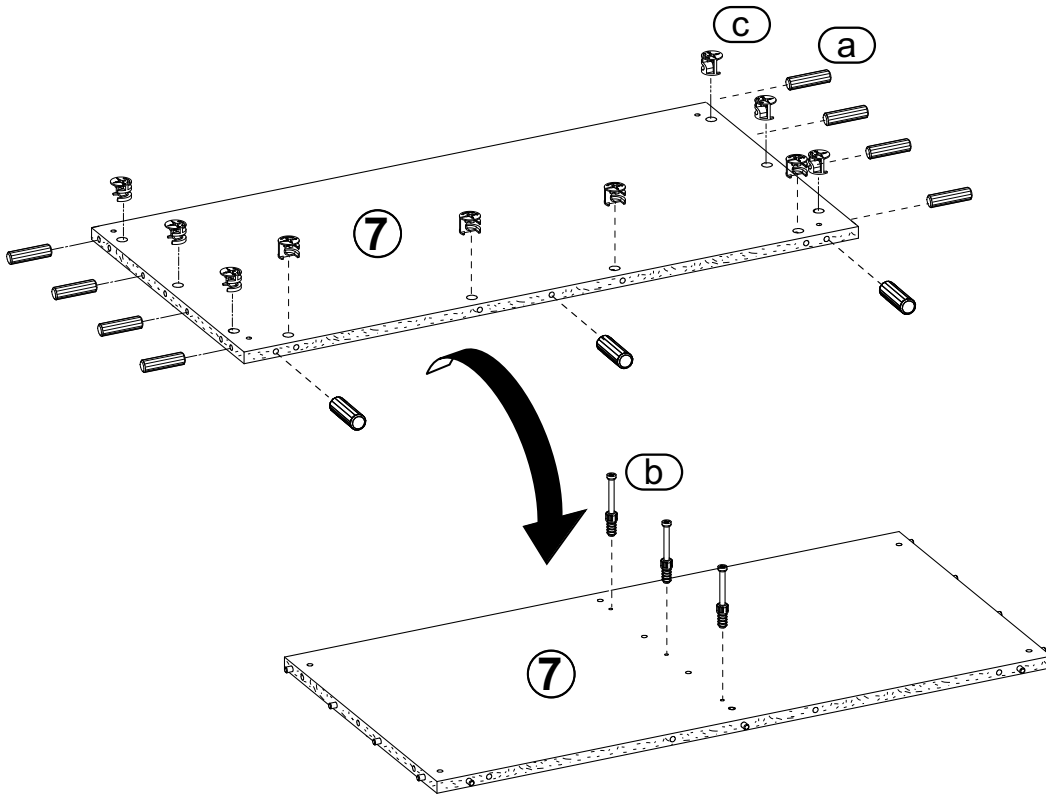


2





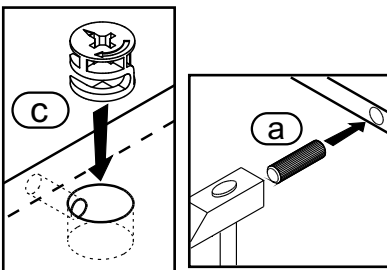
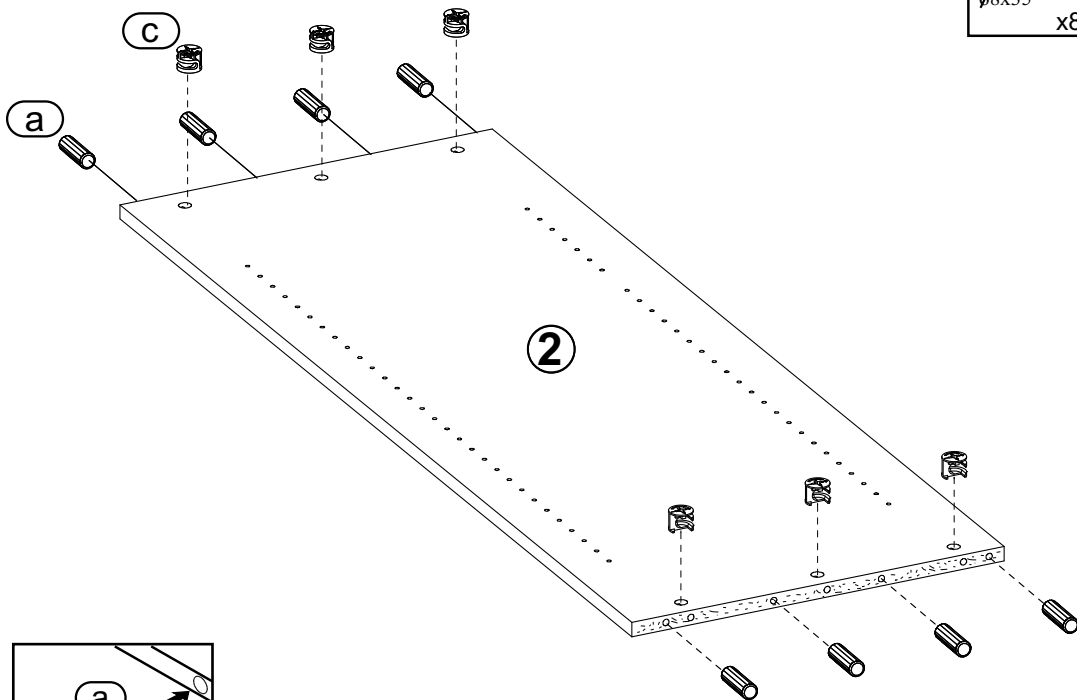
3

a  ø8x35 x11	b  34mm x3	c  ø15x12 x10
---	---	--



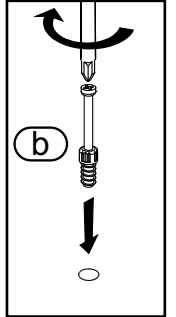
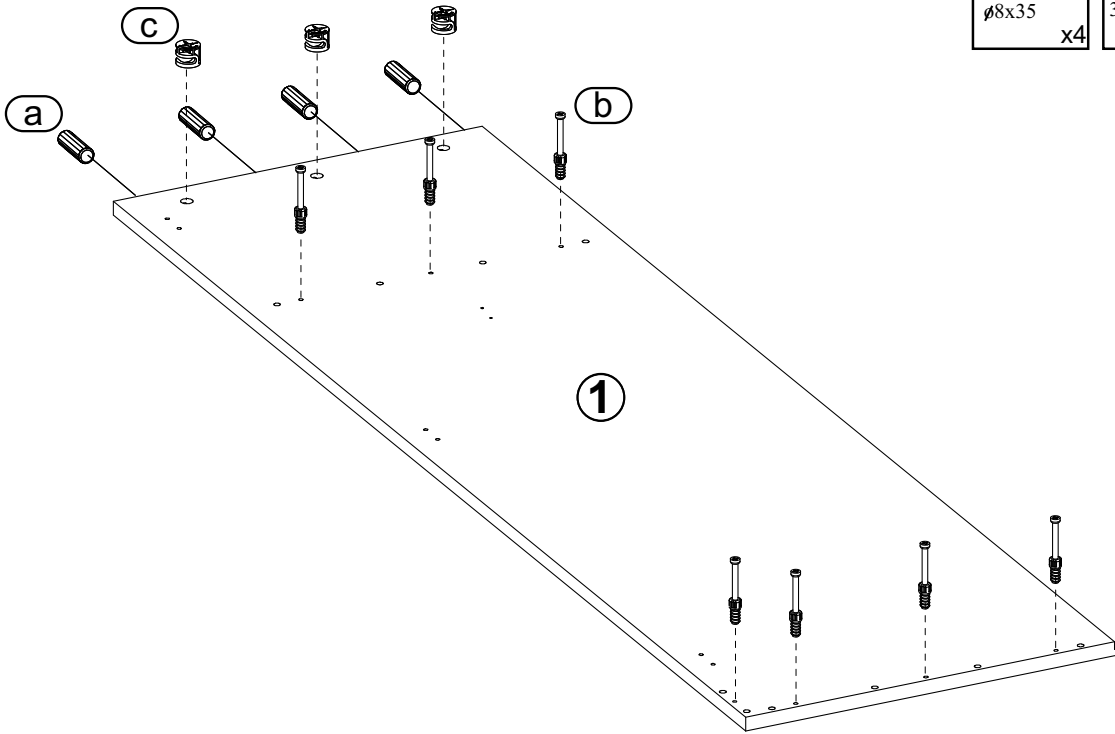
4

a  ø8x35 x8	c  ø15x12 x6
--	---

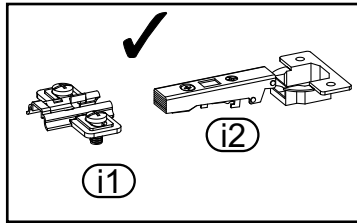
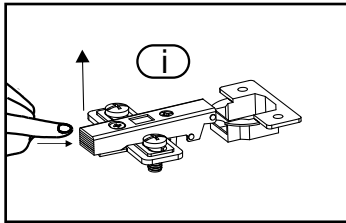


5

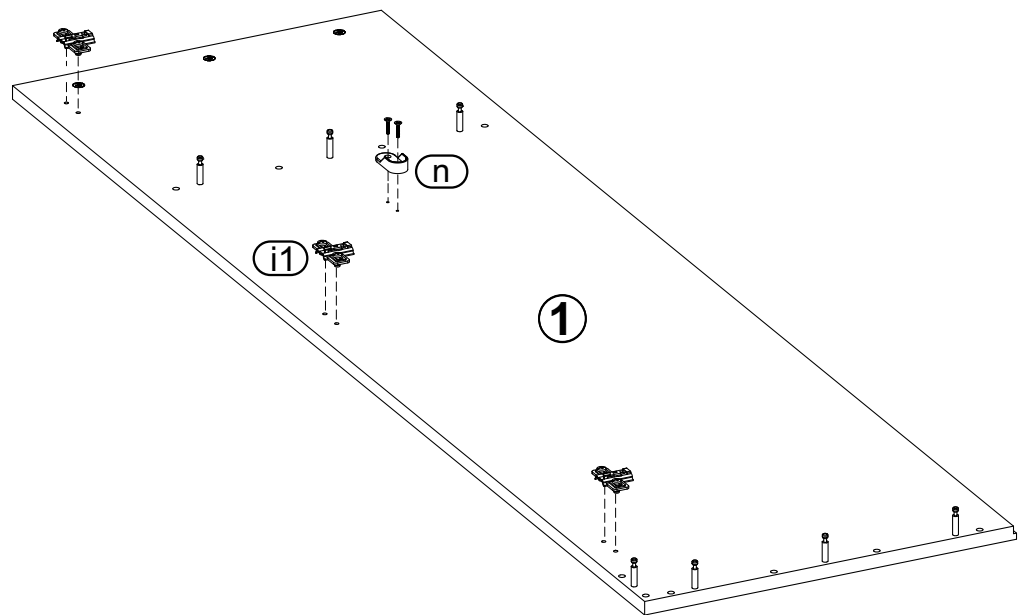
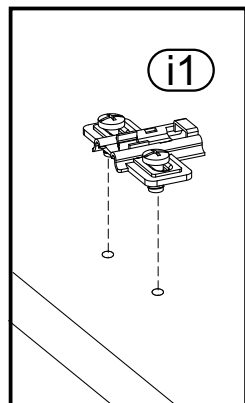
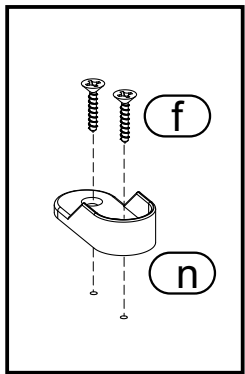
- a**
Ø8x35
x4
- b**
34mm
x7
- c**
Ø15x12
x3



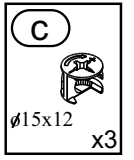
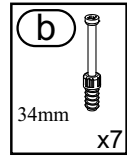
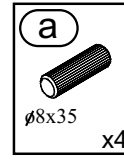
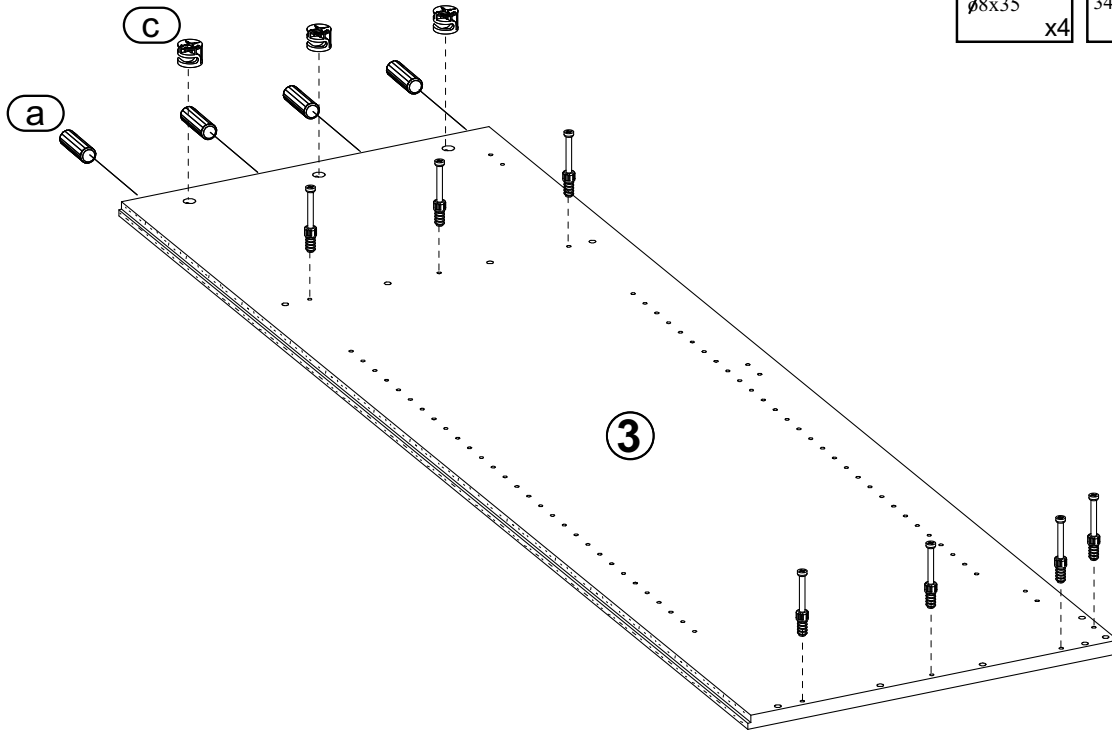
6



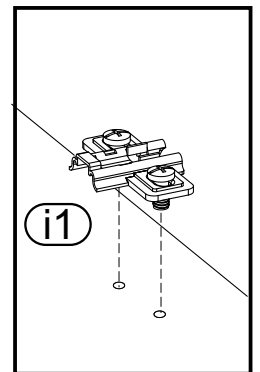
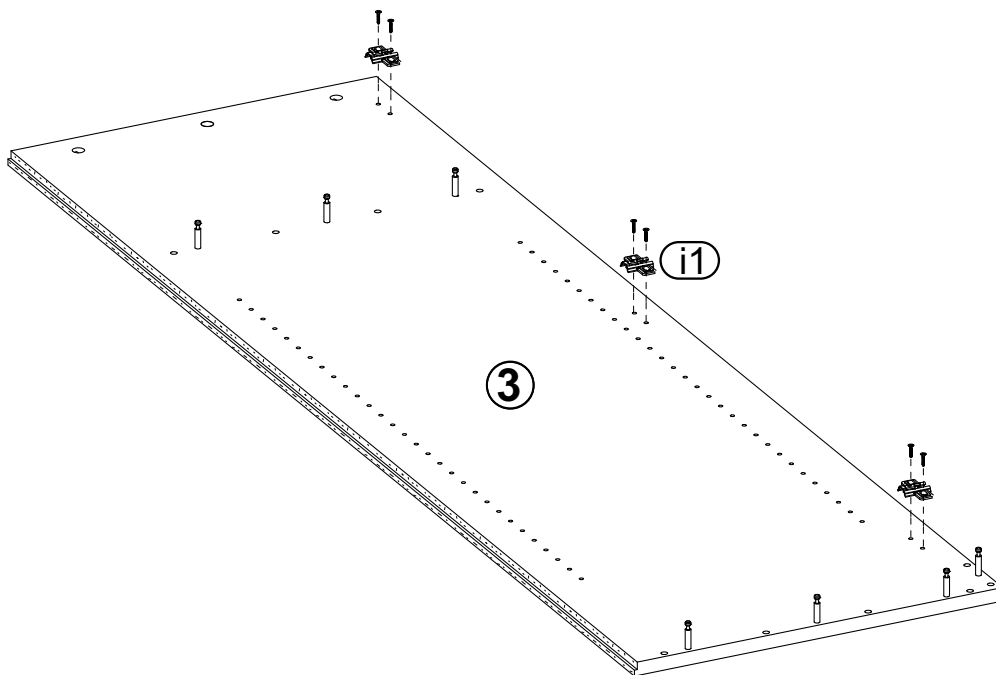
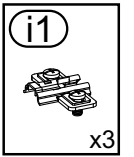
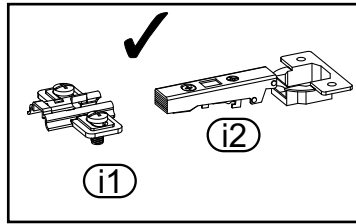
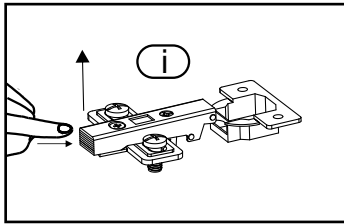
- f**
3,5x16
x2
- n**
x1
- i1**
x3



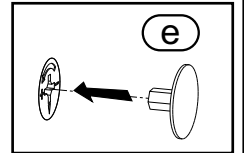
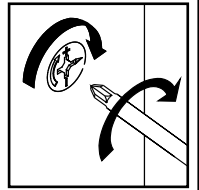
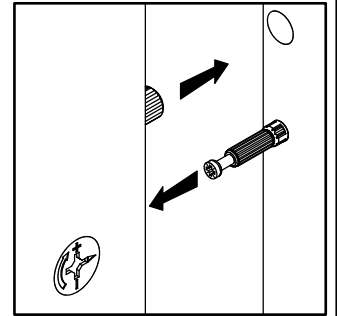
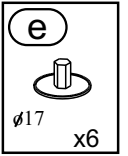
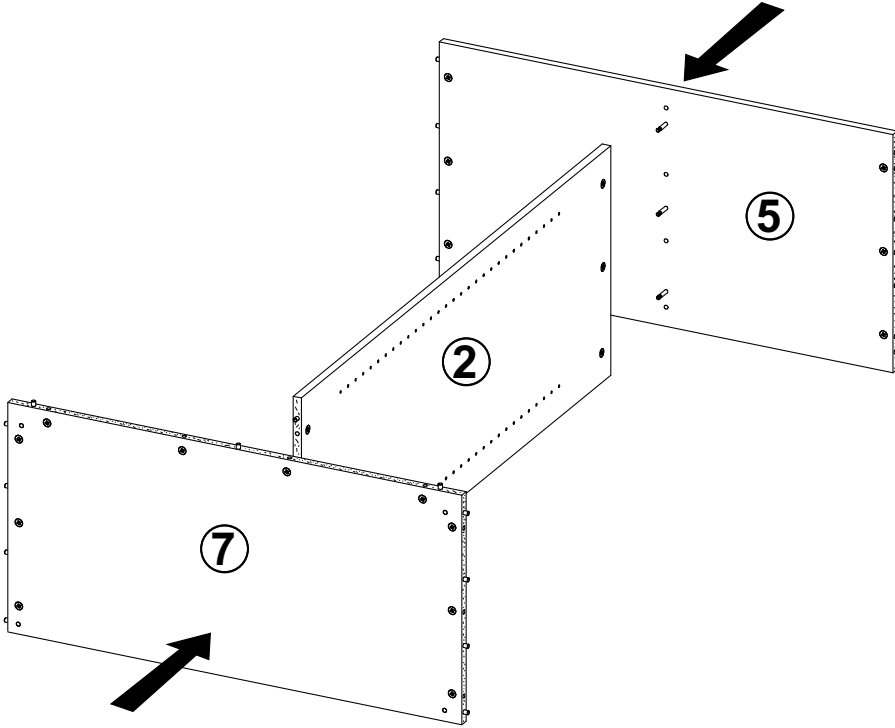
7



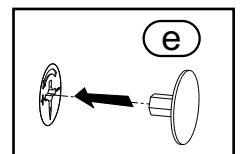
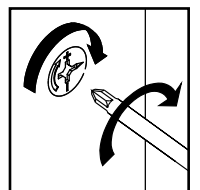
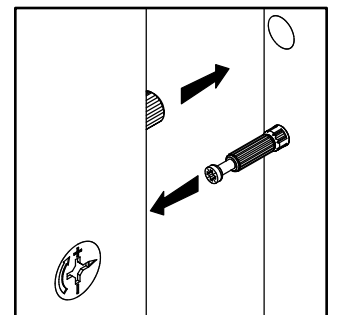
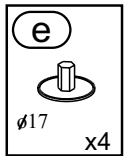
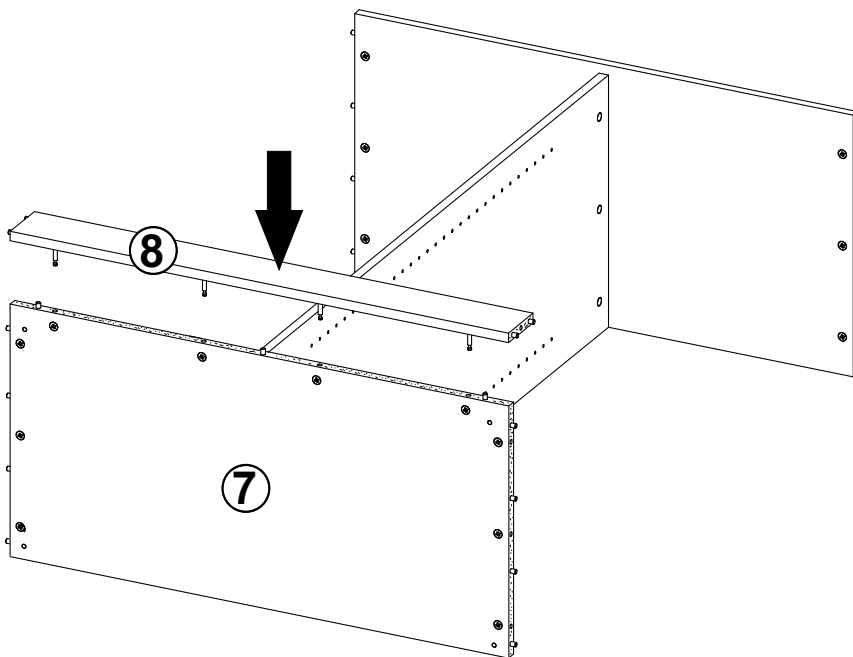
8



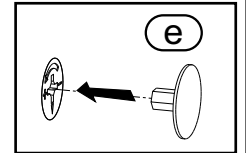
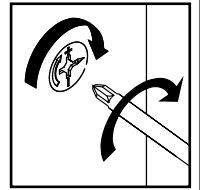
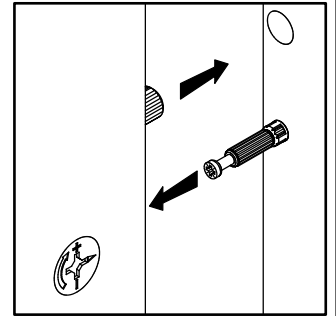
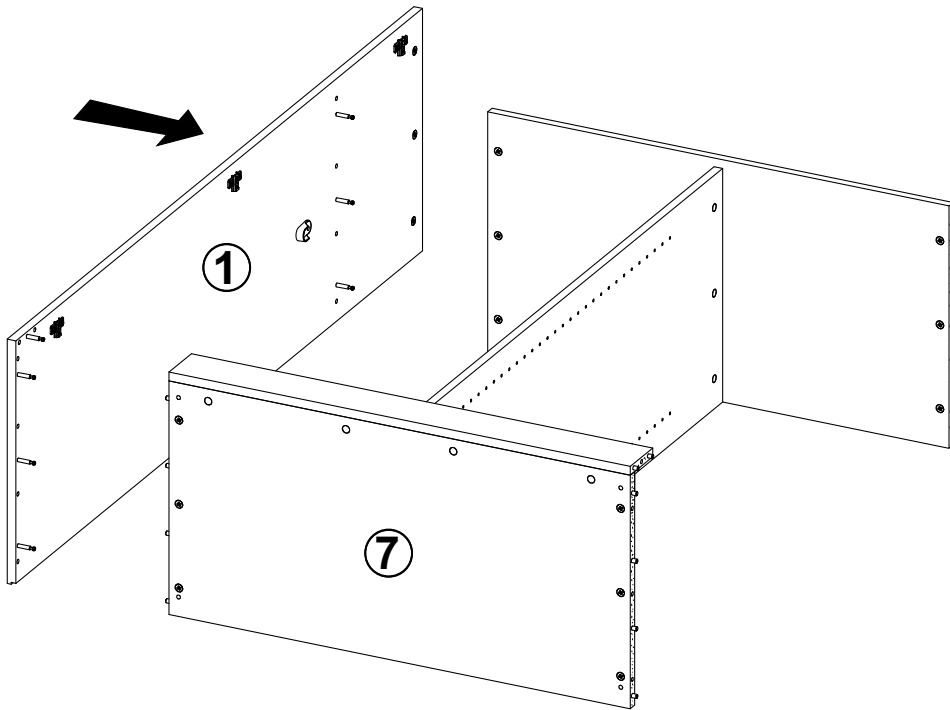
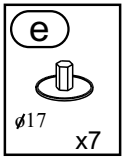
9



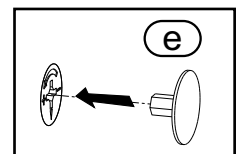
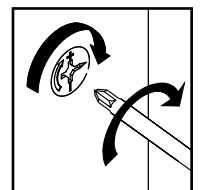
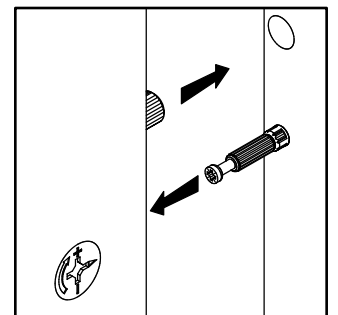
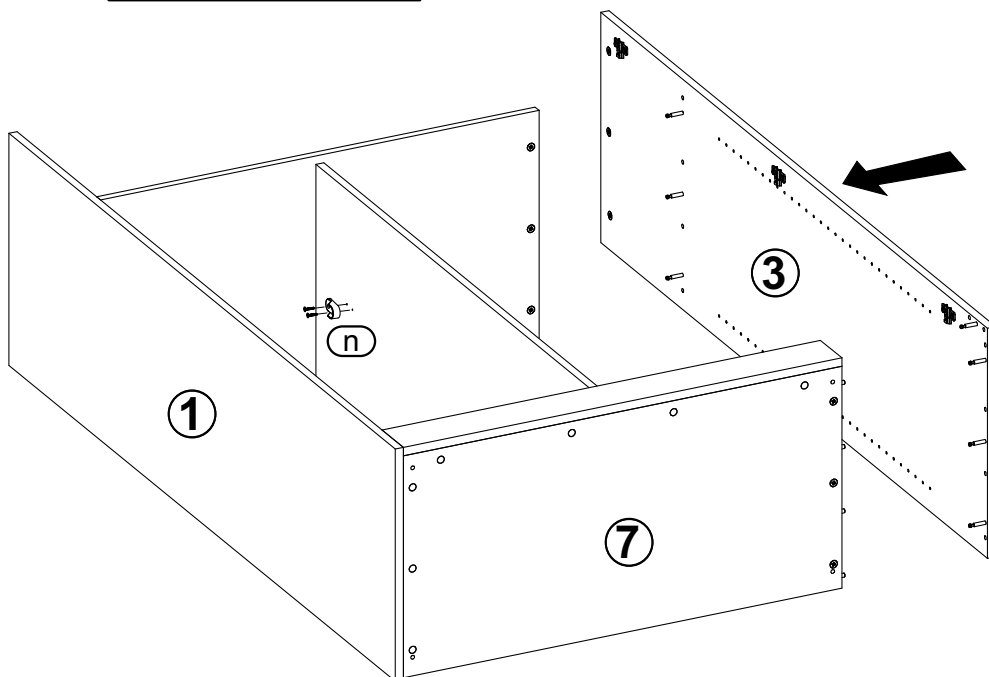
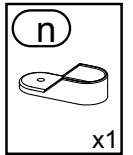
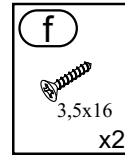
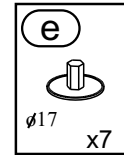
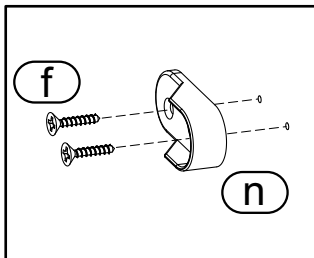
10



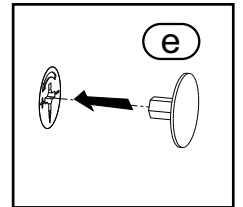
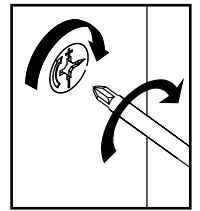
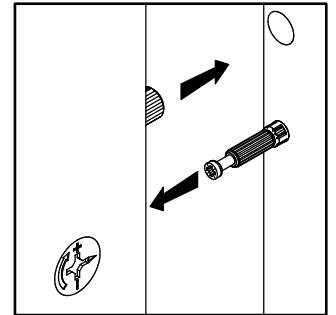
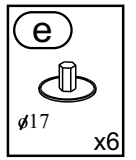
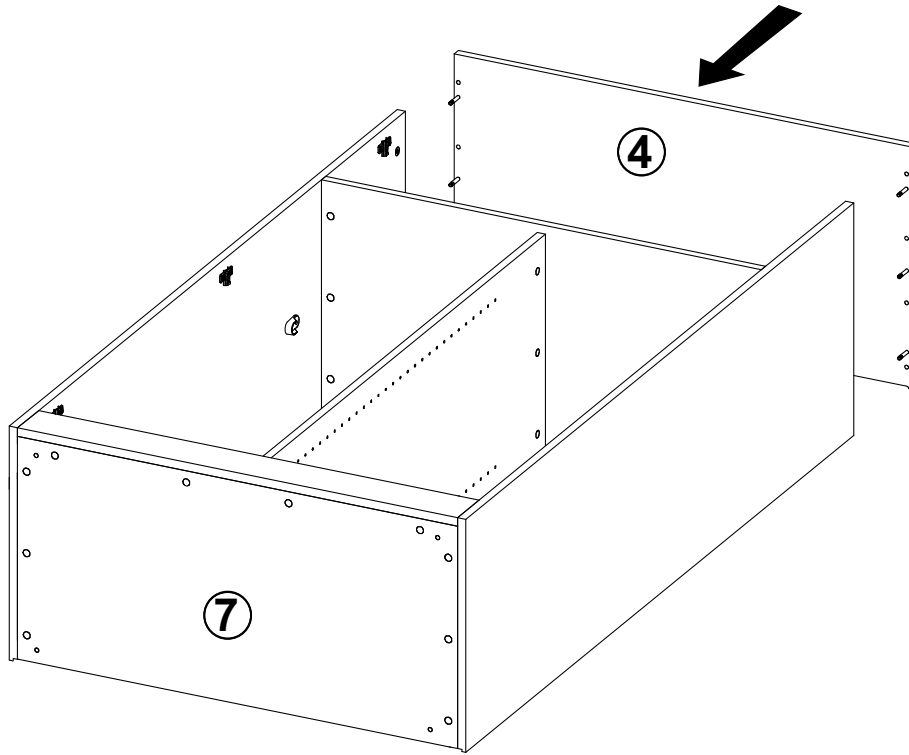
11



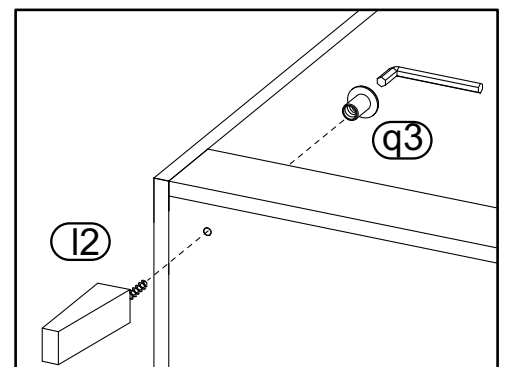
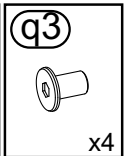
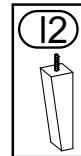
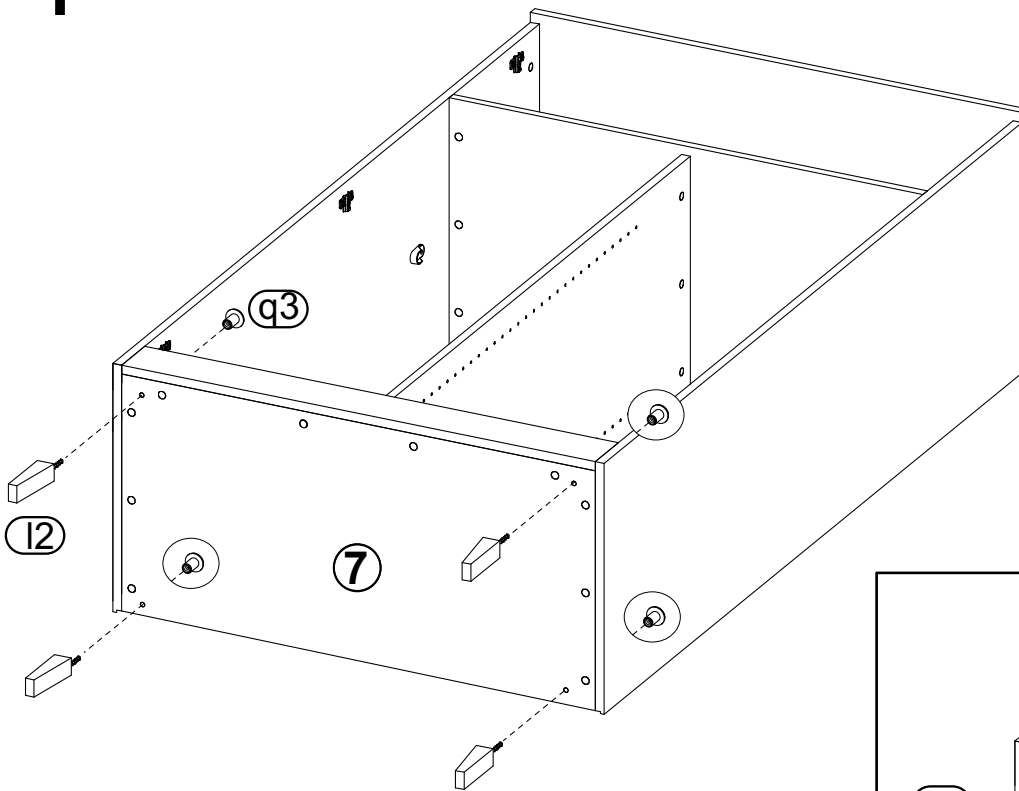
12



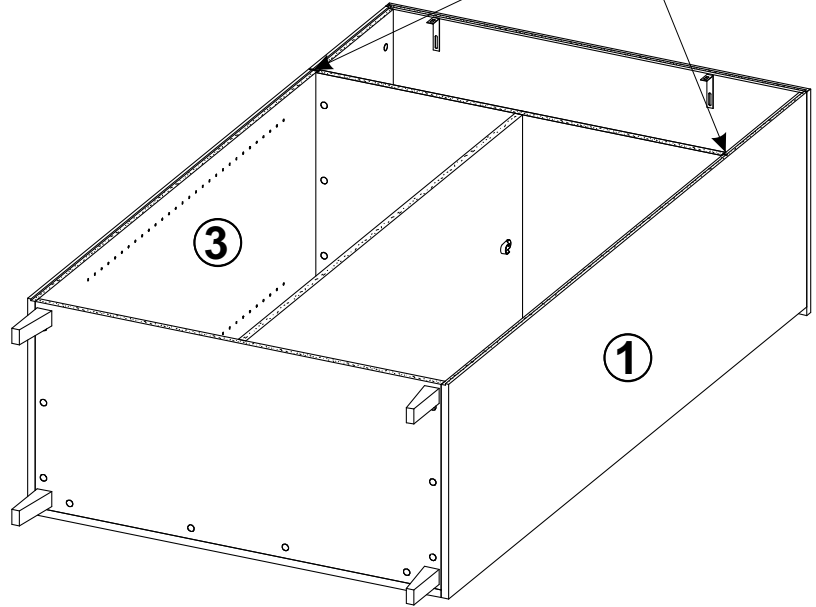
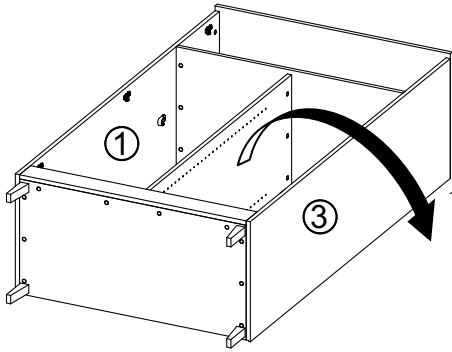
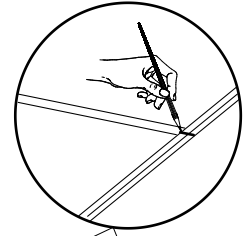
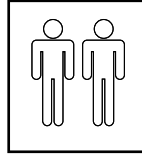
13



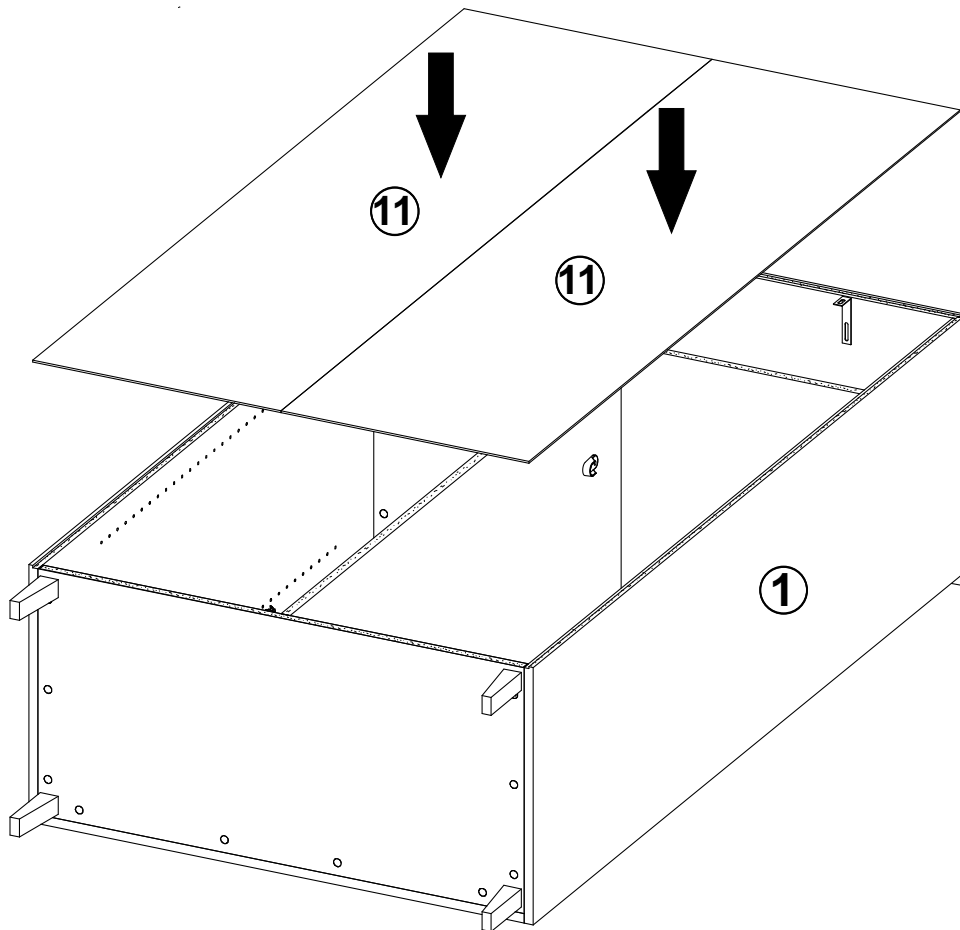
14



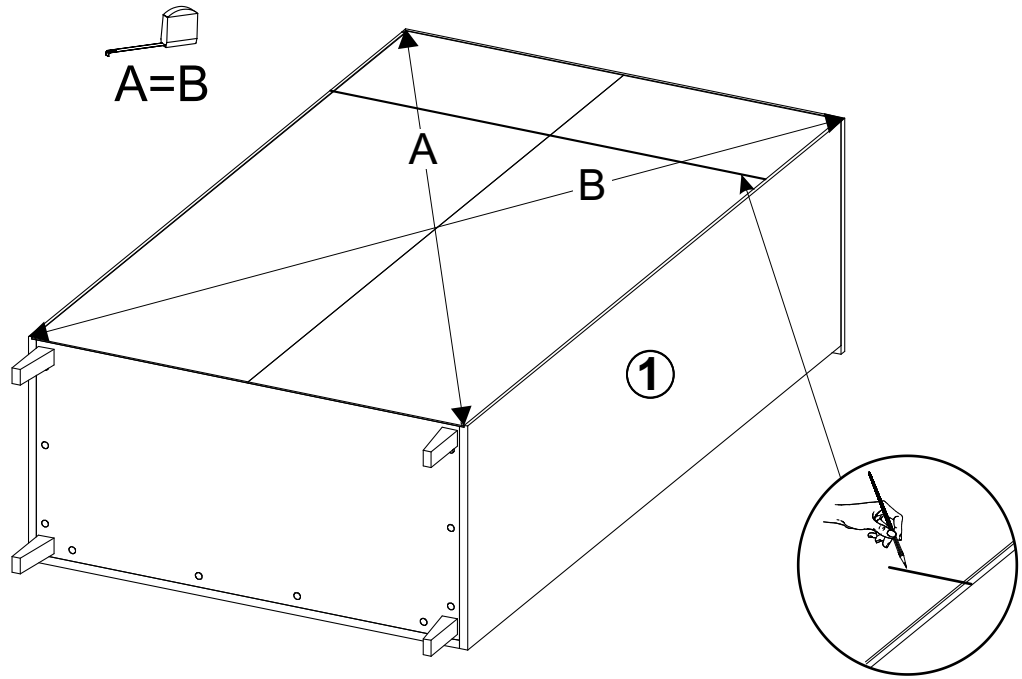
15



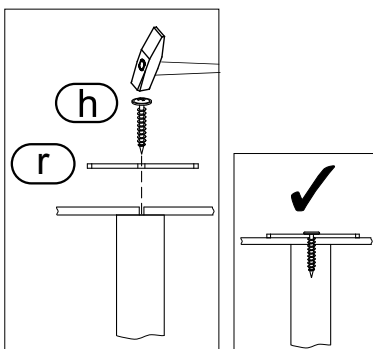
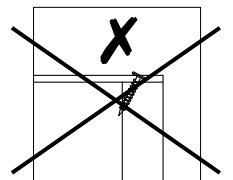
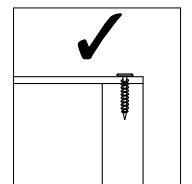
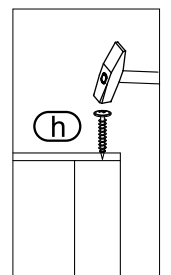
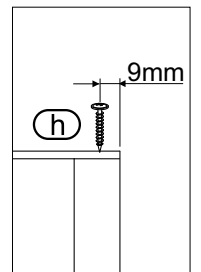
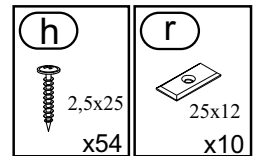
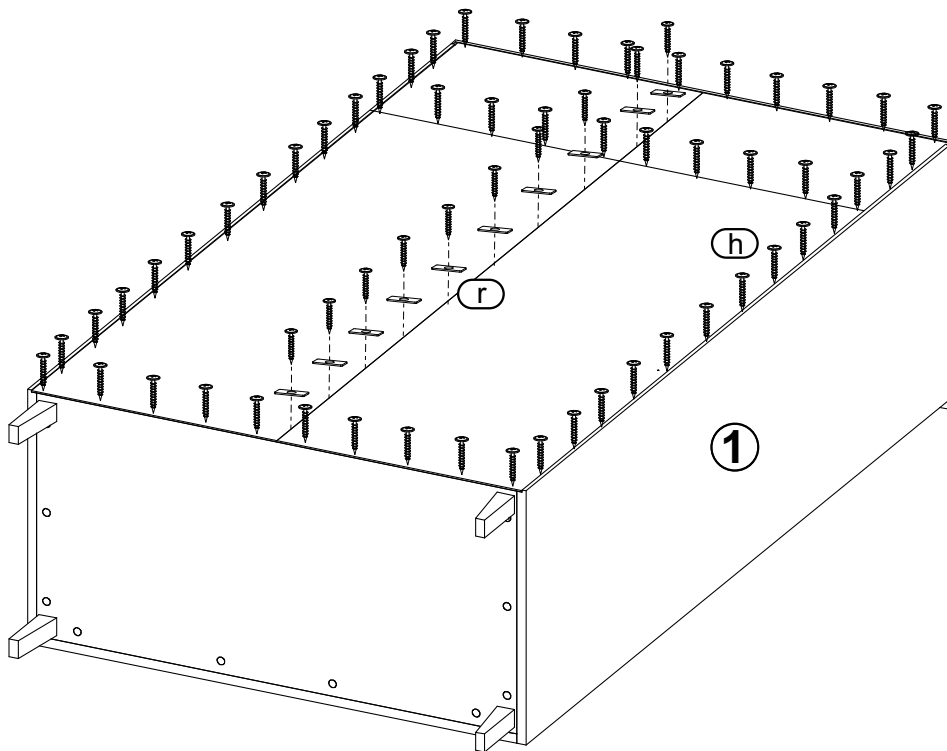
16



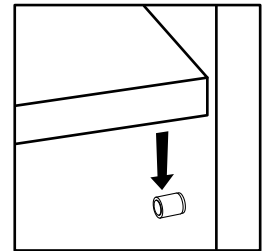
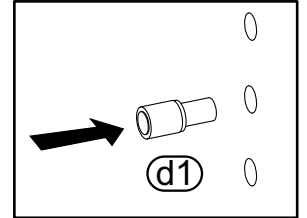
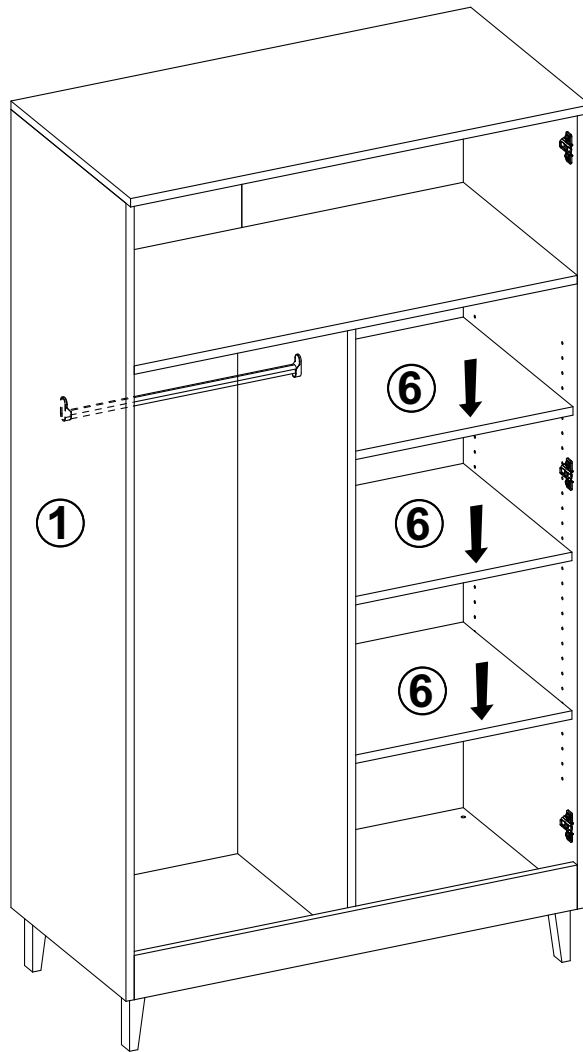
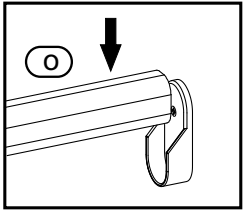
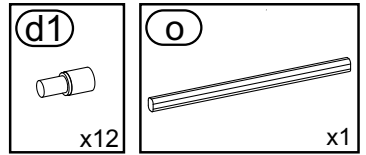
17



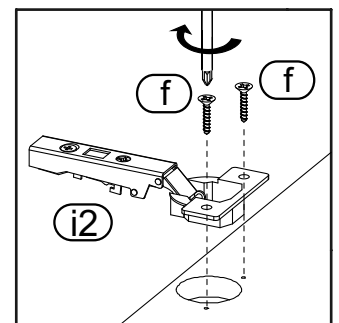
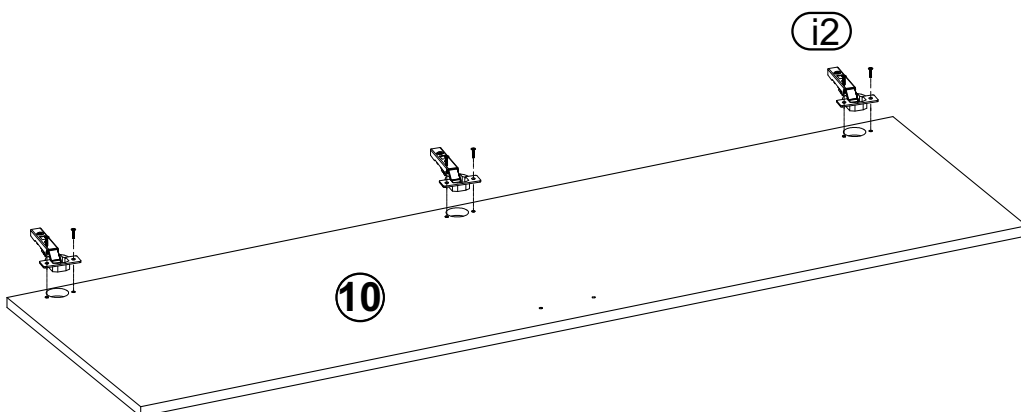
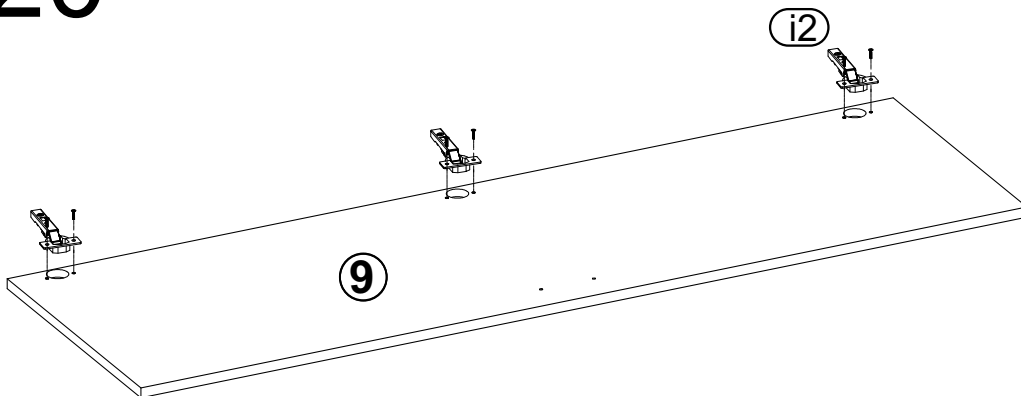
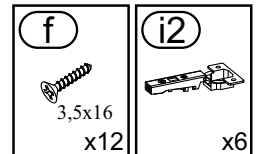
18



19



20



21

(f3) 4x25 x4	(z1) x2	(m) 6x60 x2
---------------------------	-------------------	--------------------------

